



WC10B

Industry Standards

UL 508, Types 12 & 13
CSA Certified, Type 12 & 13
NEMA/EEMAC Types 12 & 13

 UL Files E64791

 CSA File LL66078

FEATURES-SPECIFICATIONS

Applications

Designed to hold electrical and electronic controls and instruments. Pushbuttons, pilot lights, meters, switches etc., can be mounted on sloping control surfaces. Interior components can be mounted on back panel and terminal straps. Heavy-duty construction provides protection from dirt, dust, oil and water.

Construction—Body

- Fabricated from 14 gauge steel
- Seams are continuously welded and ground smooth
- 3-point keylocking handle is provided on front, main door
- Flush main door
- Control panels are hinged along bottom edge

- Controls panels have captivated screws which thread into sealed wells
- Door stops provided to hold control panel open
- Print pocket is provided
- Standard closed cell neoprene gasket is provided
- Removable back panel is included with enclosure
- Ground provisions provided

Construction—Top

- Fabricated from 14 gauge steel
- Seams are continuously welded and ground smooth
- Instrument and access panels have captivated screws which thread into sealed wells
- Closed cell neoprene gasket

Construction—Writing Desk

- Fabricated from 14 gauge steel
- Seams are continuously welded and ground smooth
- Desks are removable and attach easily to console front

Finish

- ANSI 61 gray polyester powder inside and out over phosphatized surfaces
- Included back panel is white polyester powder over phosphatized surfaces

Accessories

- See pages J1-J19

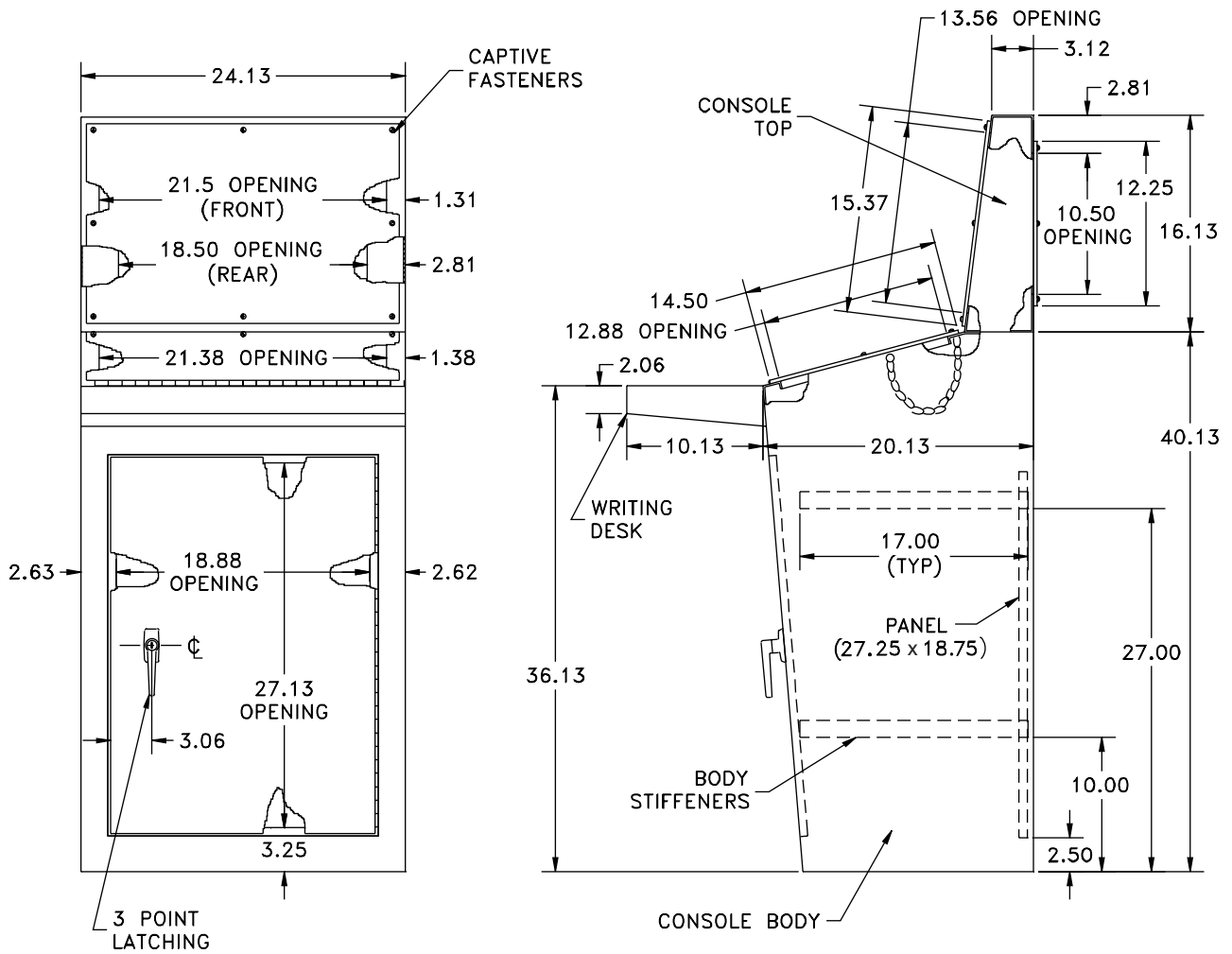
WC10 SERIES OPERATOR INTERFACE CONSOLES

CATALOG NUMBER	DESCRIPTION / SIZE
WC10B*	Console body only / 24.00" wide
WC10T	Top for WC10B
WC10W	Writing desk for WC10B
WC10C	Caster kit

*U.L. Listed. Back panels are included with console.

NOTE: Tops, writing desks, and caster kits must be ordered separately.





Notes:

1. Access doors open 180 degrees.
2. One 8X10 Print Pocket is provided.
3. 3-point key-locking handles are provided on main doors.
4. Writing desk is provided with mounting hardware.
5. 27.25 X 18.75 rear panel included.

